

**Model : BC-6061
BC-6062**

Product Description

- The 5.5mm DC Plug features a DC 5.5mm plug and connector with mark polarity.
- You simply screw your figure 8 cable and just plug it in.
- Easier for camera installation, save time and safer cable connection
- No electrical tap, No splicing, no crimping, but only a small screw driver
- Professional for CCTV installers and excellent for all DC or AC cameras.

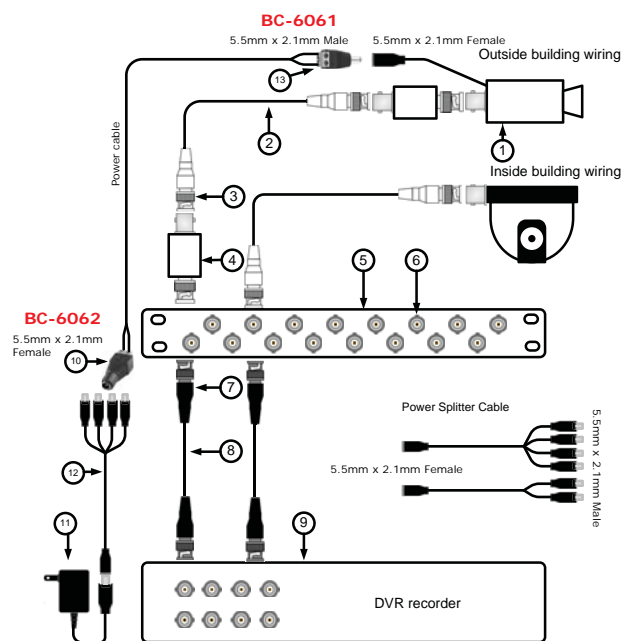
Application

- CCTV camera
- Power
- LED

Specifications

Power	12VDC/AC - 36VDC/AC
Maximum Transmission current	10A (1V-36V)
The maximum transmission power	120W
Application	Security system and LED system
Durability	500times
Material	Plastic ,copper and Zinc Alloy
Environment	-10°C to +80 °c
Storage	-10°C to +80 °c
Humidity	0 to 95%
Wire Type	Two cores power wire
Plug/Male	External 5.5 x Internal 2.1mm DC male plug
Dimension Plug/Male	37.8 x 13.9 x 12mm
Jacket/Female	External 5.5 x Internal 2.1mm DC female jack
Dimension Jack/Female	39 x 14.8 x 12mm
Green Glue stick marked	+ positive and - negative.
head lock	Screw
Weight	5.4-6g/pcs

Applications



BC-6062
**DC Power Jack Connector,
Female Screw**



BC-6061
**DC Power Plug Connector,
Male Screw**

Size



Part No.	Descriptions
BC-6062	DC Power Jack Connector, Female Screw(CCTV camera 5.5mm x 2.1mm Male)
BC-6061	DC Power Plug Connector, Male Screw(CCTV camera 5.5mm x 2.1mm Female)

PRODUCT DESCRIPTIONS	PART NUMBER
1. CCTV camera	BC-CCD800DO-OSD, BC-CCD800BU40-OSD
2. RG-6/11 cable	RG0659, RG0659-D, RG0659MS, RG0659-2P, RG0659-2PS
3. BNC connector for RG-6	CA002RG6
4. Surge protection	BC-5052
5. BNC coaxial patch panel	BC-BP16BNCW, BC-BP16BNCB
6. BNC to BNC female	CA007
7. RG-2.5C2V cable	JIS25C2V95
8. BNC connector for 2.5C2V,	CA002RG25
9. DVR recorder	BC-R6004AHF4, BC-R6604DG3, BC-R6008DG3, BC-R6116G3
10/13. DC power connector	BC-6061, BC-6062
11. Power adapter	BC-12V3A
12. Power splitter cable	BC-7072, BC7074